

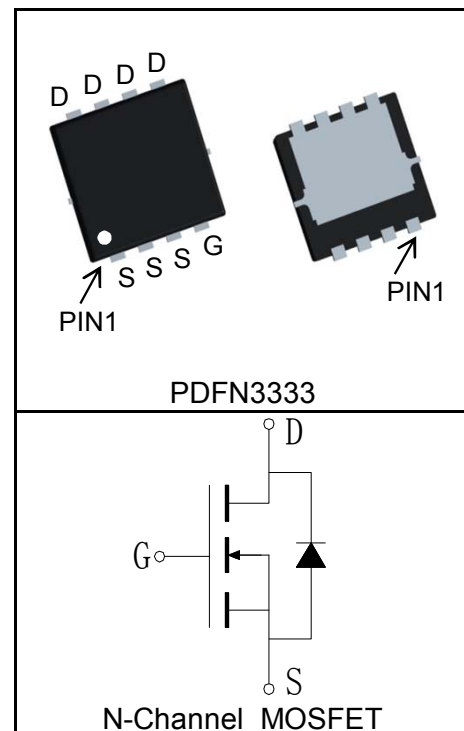
Features

- 40V/40A,
- $R_{DS(ON)} = 5.5m\Omega(Typ.)@V_{GS}=10V$
- $R_{DS(ON)} = 8m\Omega(Typ.)@V_{GS}=4.5V$
- Ultra Low On-Resistance
- Fast Switching Speed
- 100% avalanche tested
- Lead Free and Green Devices Available (RoHS Compliant)

Applications

- DC/DC Converters
- On board power for server
- Synchronous rectification

Pin Description



Absolute Maximum Ratings

Symbol	Parameter	Rating	Unit	
Common Ratings ($T_C=25^\circ\text{C}$ Unless Otherwise Noted)				
V_{DSS}	Drain-Source Voltage	40	V	
V_{GSS}	Gate-Source Voltage	± 20		
T_J	Maximum Junction Temperature	150	$^\circ\text{C}$	
T_{STG}	Storage Temperature Range	-55 to 150	$^\circ\text{C}$	
I_S	Diode Continuous Forward Current	$T_C=25^\circ\text{C}$	40	A
Mounted on Large Heat Sink				
$I_{DP}^{①}$	300 μs Pulse Drain Current Tested	$T_C=25^\circ\text{C}$	160	A
$I_D^{②}$	Continuous Drain Current@ $T_C(V_{GS}=10V)$	$T_C=25^\circ\text{C}$	40	A
		$T_C=100^\circ\text{C}$	25	
	Continuous Drain Current@ $T_A(V_{GS}=10V)^{③}$	$T_A=25^\circ\text{C}$	18	
		$T_A=70^\circ\text{C}$	14	
P_D	Maximum Power Dissipation@ T_C	$T_C=25^\circ\text{C}$	34	W
		$T_C=100^\circ\text{C}$	13	
	Maximum Power Dissipation@ $T_A^{③}$	$T_A=25^\circ\text{C}$	4.2	
		$T_A=70^\circ\text{C}$	2.7	

Symbol	Parameter	Rating	Unit
$R_{\theta JC}$	Thermal Resistance-Junction to Case	3.72	°C/W
$R_{\theta JA}$ ^③	Thermal Resistance-Junction to Ambient	30	°C/W
Drain-Source Avalanche Ratings			
E_{AS} ^④	Avalanche Energy, Single Pulsed	42	mJ

Electrical Characteristics ($T_C=25^\circ\text{C}$ Unless Otherwise Noted)

Symbol	Parameter	Test Condition	4040			Unit
			Min.	Typ.	Max.	
Static Characteristics						
BV_{DSS}	Drain-Source Breakdown Voltage	$V_{GS}=0V, I_{DS}=250\mu A$	40			V
I_{DSS}	Zero Gate Voltage Drain Current	$V_{DS}=40V, V_{GS}=0V$			1	μA
		$T_J=125^\circ\text{C}$			30	
$V_{GS(th)}$	Gate Threshold Voltage	$V_{DS}=V_{GS}, I_{DS}=250\mu A$	1		2	V
I_{GSS}	Gate Leakage Current	$V_{GS}=\pm 20V, V_{DS}=0V$			± 100	nA
$R_{DS(on)}$ ^⑤	Drain-Source On-state Resistance	$V_{GS}=4.5V, I_{DS}=30A$		8	11	$m\Omega$
		$V_{GS}=10V, I_{DS}=40A$		5.5	6.5	$m\Omega$
Diode Characteristics						
V_{SD} ^⑤	Diode Forward Voltage	$I_{SD}=40A, V_{GS}=0V$			1.2	V
t_{rr}	Reverse Recovery Time	$I_{SD}=40A, di_{SD}/dt=100A/\mu s$		9		ns
Q_{rr}	Reverse Recovery Charge			15		nC
Dynamic Characteristics ^⑥						
R_G	Gate Resistance	$V_{GS}=0V, V_{DS}=0V, F=1\text{MHz}$		1.3		Ω
C_{iss}	Input Capacitance	$V_{GS}=0V,$ $V_{DS}=20V,$ Frequency=1.0MHz		580		pF
C_{oss}	Output Capacitance			130		
C_{rss}	Reverse Transfer Capacitance			65		
$t_{d(on)}$	Turn-on Delay Time	$V_{DD}=20V, I_{DS}=40A,$ $V_{GEN}=10V, R_G=4.7\Omega$		5		ns
t_r	Turn-on Rise Time			24		
$t_{d(off)}$	Turn-off Delay Time			35		
t_f	Turn-off Fall Time			12		
Gate Charge Characteristics ^⑥						
Q_g	Total Gate Charge	$V_{DS}=32V, V_{GS}=10V,$ $I_{DS}=40A$		24		nC
Q_{gs}	Gate-Source Charge			5		
Q_{gd}	Gate-Drain Charge			3.5		

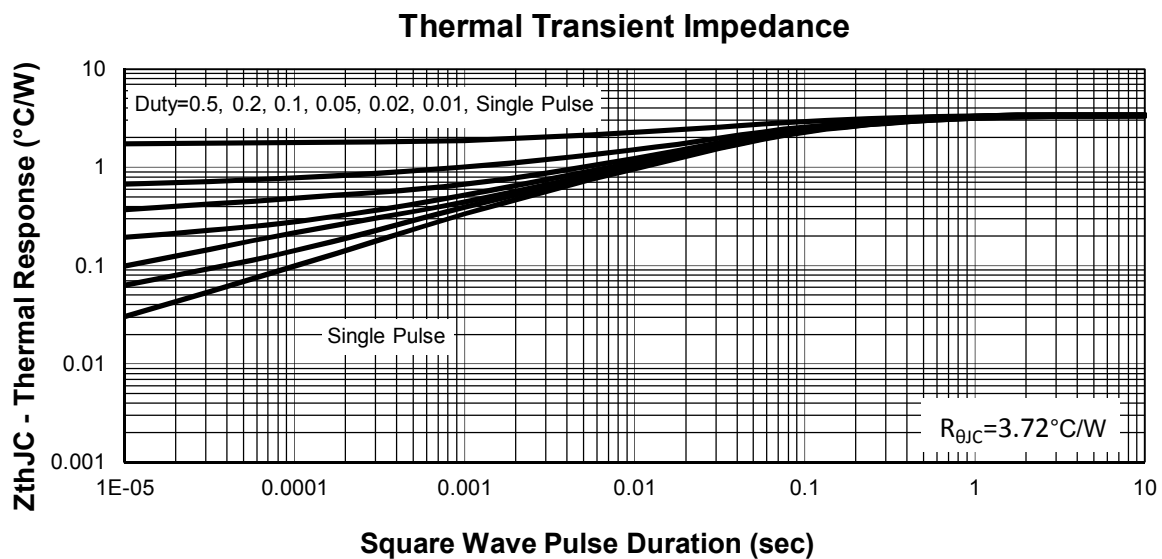
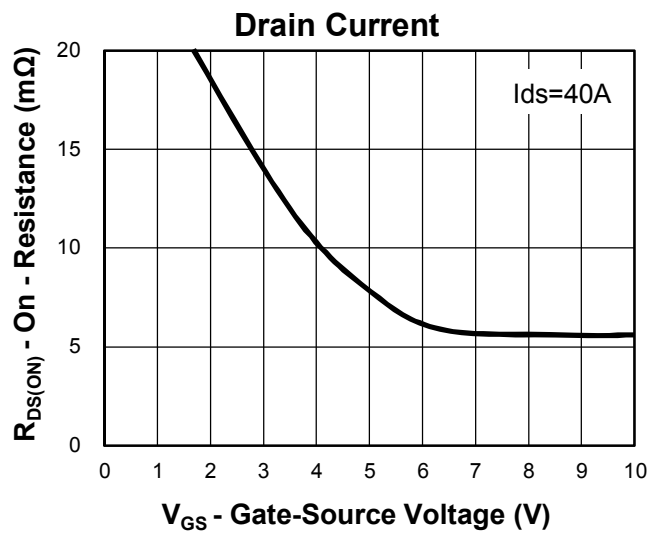
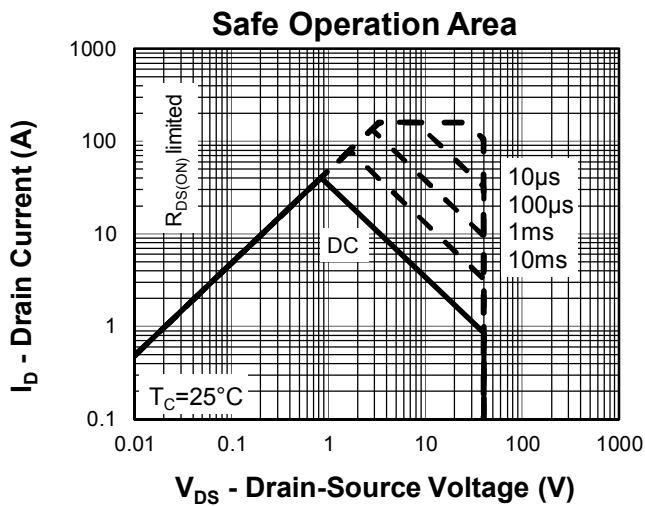
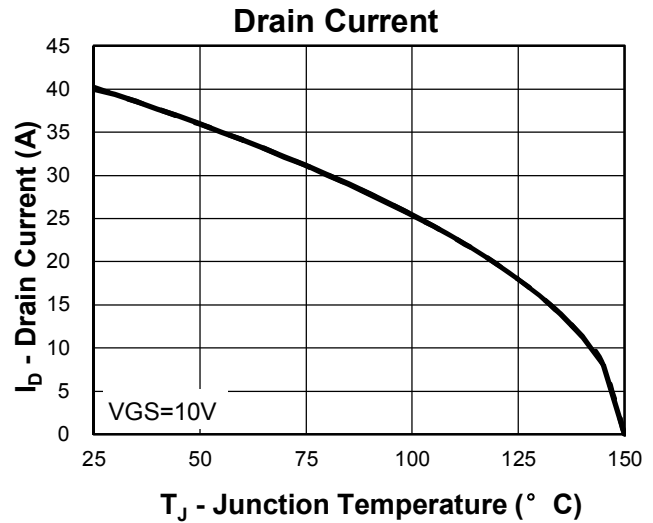
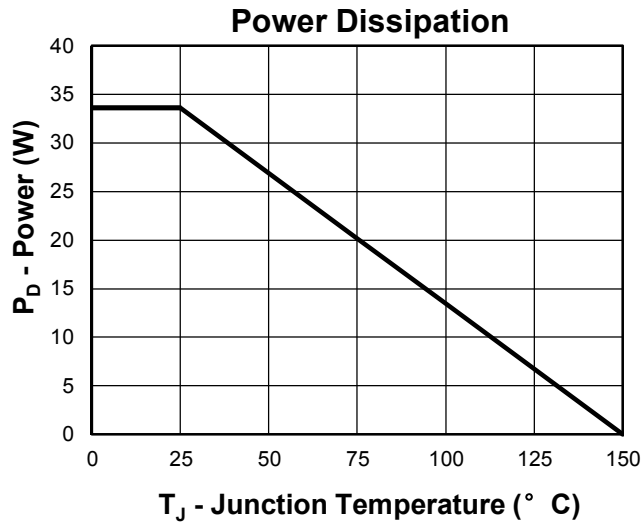
Notes:

- ① Max current is limited by the source bonding.
- ② Pulse width limited by safe operating area.
- ③ When mounted on 1 inch square copper board, $t = 10\text{sec}$.
- ④ Limited by $T_{J\text{max}}$, $I_{AS} = 13\text{A}$, $V_{DD} = 24\text{V}$, $R_G = 50\ \Omega$, Starting $T_J = 25^\circ\text{C}$.
- ⑤ Pulse test ; Pulse width 300s, duty cycle 2%.
- ⑥ Guaranteed by design, not subject to production testing.

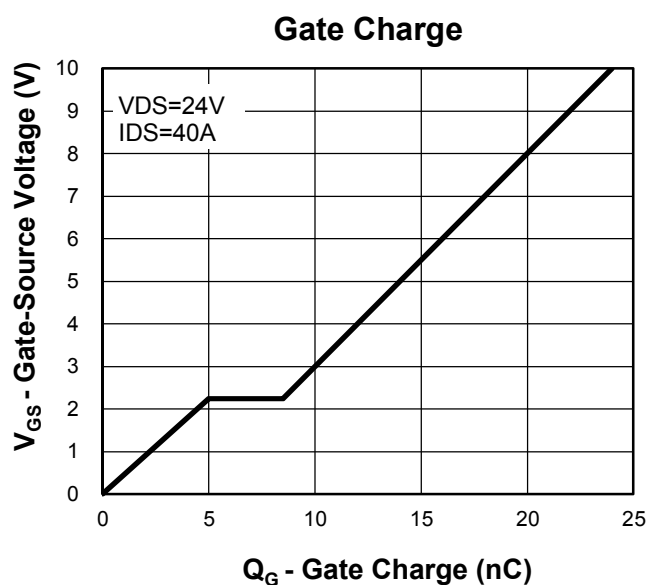
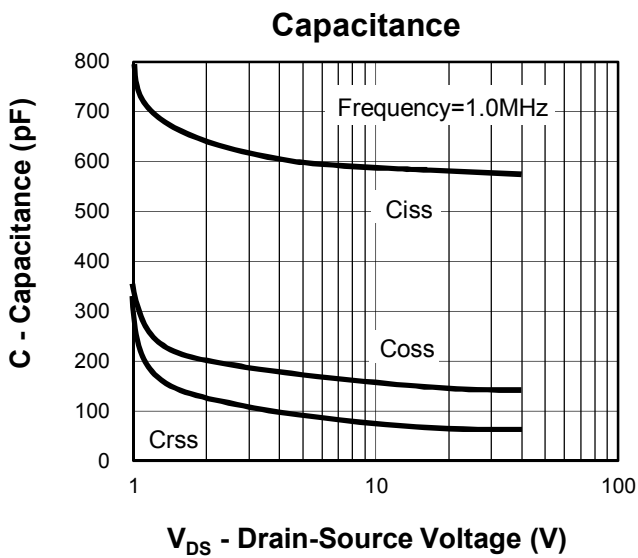
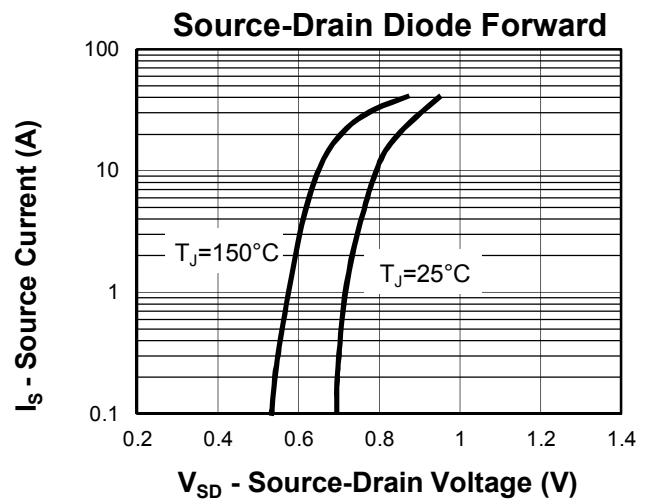
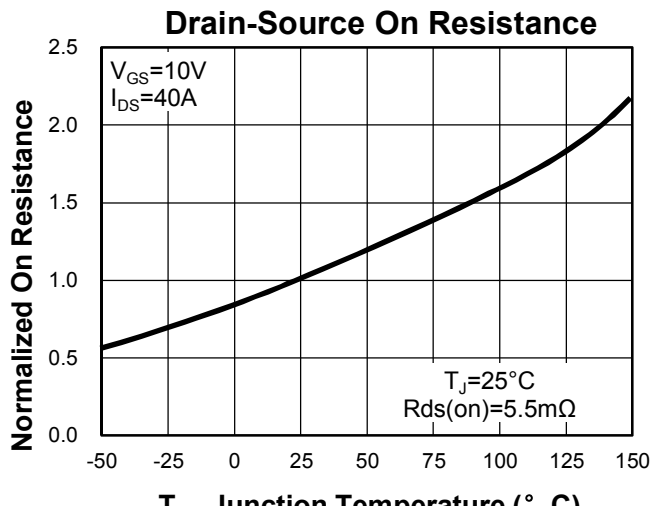
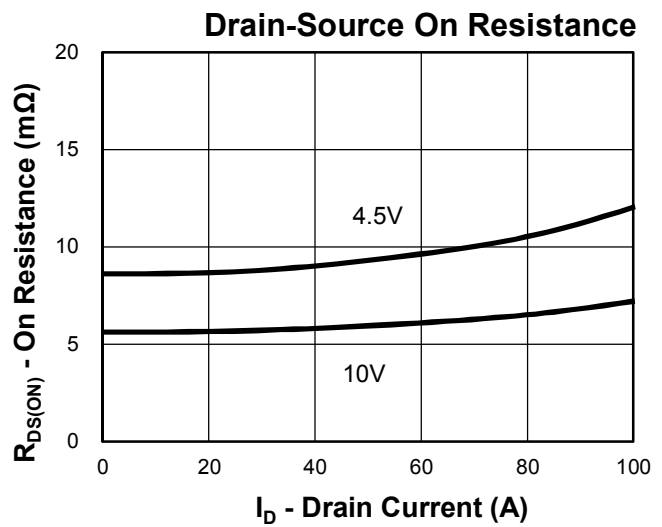
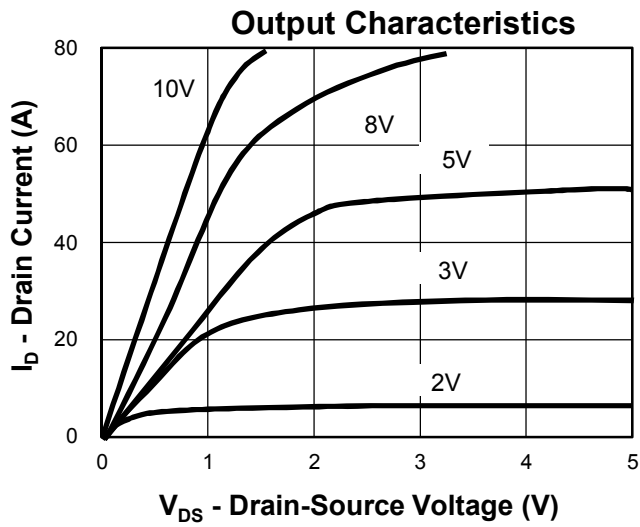
Ordering and Marking Information

Device	Marking	Package	Packaging	Quantity	Reel Size	Tape width
4040M2	4040	PDFN3333	Tape&Reel	5000	13"	12mm

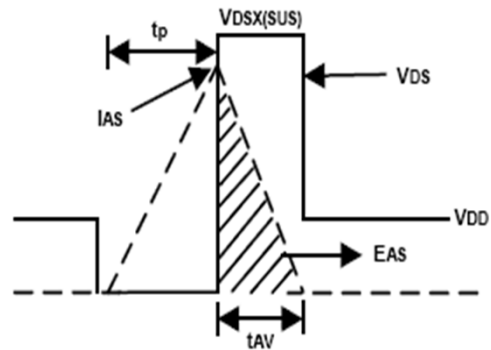
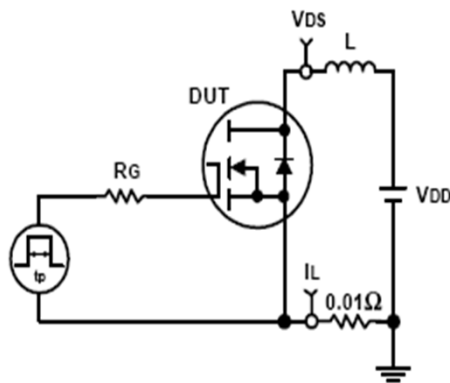
Typical Characteristics



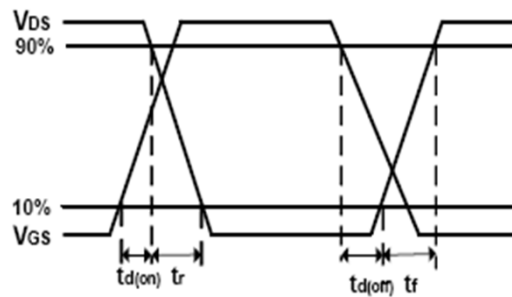
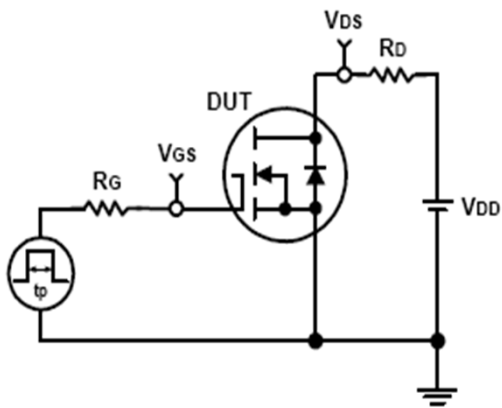
Typical Characteristics



Avalanche Test Circuit and Waveforms

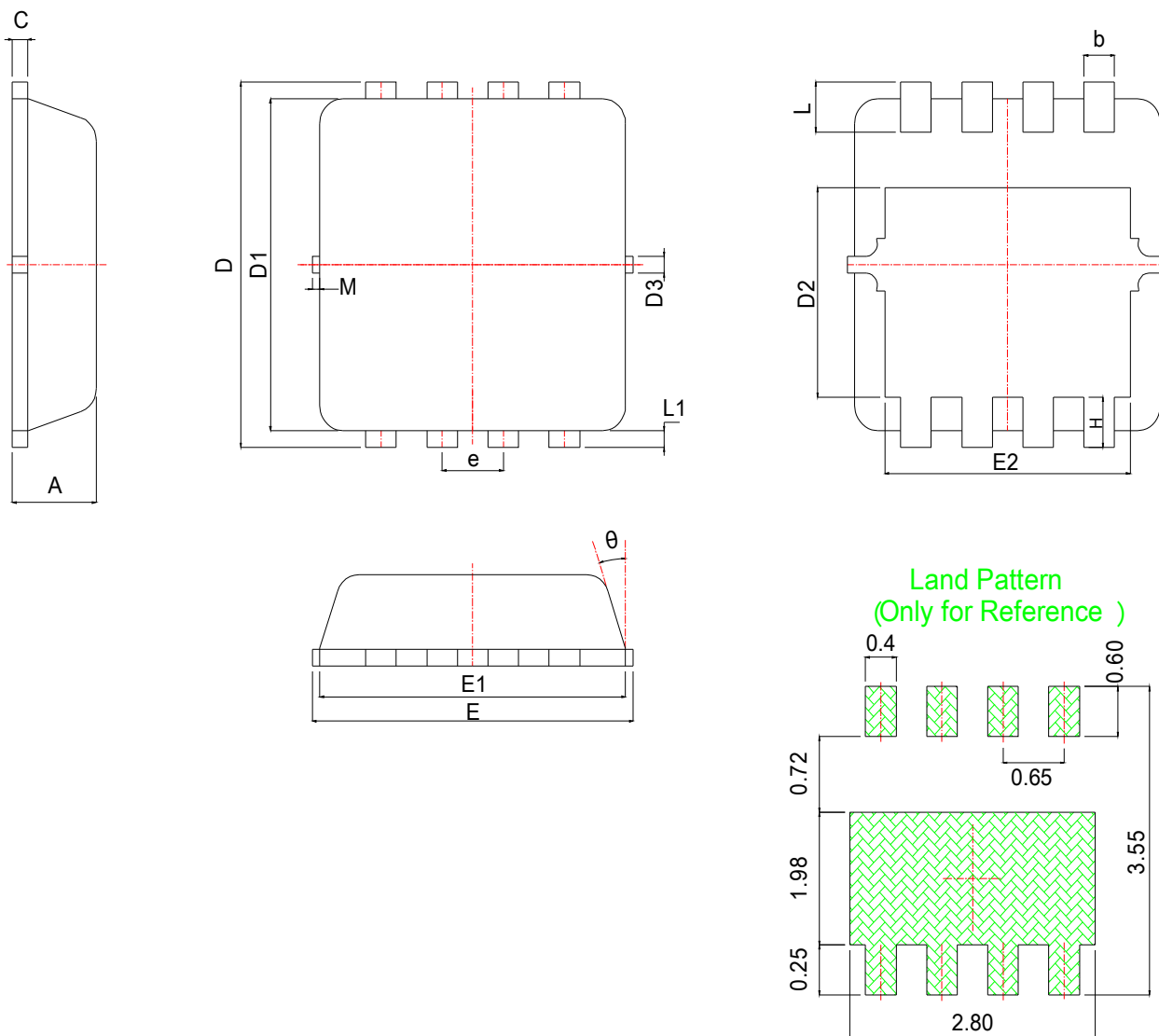


Switching Time Test Circuit and Waveforms



Package Information

PDFN3333



SYMBOL	MM			INCH			SYMBOL	MM			INCH		
	MIN	NOM	MAX	MIN	NOM	MAX		MIN	NOM	MAX	MIN	NOM	MAX
A	0.70	0.75	0.80	0.028	0.030	0.031	E1	3.00	3.15	3.20	0.118	0.122	0.126
b	0.25	0.30	0.35	0.010	0.012	0.014	E2	2.39	2.49	2.59	0.094	0.098	0.102
c	0.10	0.15	0.25	0.004	0.007	0.010	e	0.65BSC			0.026BSC		
D	3.25	3.35	3.45	0.128	0.132	0.136	H	0.30	0.40	0.50	0.012	0.016	0.020
D1	3.00	3.10	3.20	0.118	0.122	0.126	L	0.30	0.40	0.50	0.012	0.016	0.020
D2	1.78	1.88	1.98	0.070	0.074	0.078	L1	*	0.13	*	*	0.005	*
D3	*	0.13	*	*	0.005	*	θ	*	10°	12°	*	10°	12°
E	3.20	3.30	3.40	0.126	0.130	0.134	M	*	*	0.15	*	*	0.006